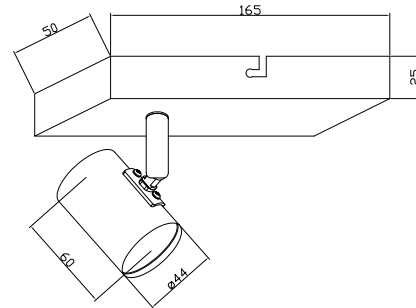


Products > Spot light > Wall light 1009.1015



## Wall light 1009.1015

### Line Drawing



### Downloads



### Physical Specification

Code	1009.1015
Product Dimensions (mm)	160x50x25mm
Finish/Color	Black
Material	Iron
On/Off Switch	N
Cable Length (m)	N
Cable Spec.	N
Plug	N
Terminal Block	3-way Terminal Block
Accessories	screw, expansion bolts,
Installation	Surface mounted
Class	1

### Electrical Characteristics

Code	1009.1015
Total Power Consumption Wattage/On-Mode Power	1 x Max.7W LED E27 BULB
Product Voltage	220-240
Hertz	50/60
IP Rating	IP20
Luminous Flux	N/A
Kelvin	N/A
LED Package Type	N/A
Lamp/Bulb Specification (if not LED)	E27 BULB
Lamp/Bulb included?	N
SDCM	N/A
CRI	N/A
Power Factor	N/A
UGR	N/A

### Function

Code	1009.1015
Linkable	N
CCT function	N
Multi-section Power	N
Dimmable	N
Sensor	N
Emergency	N
Battery Spec.	N/A



**ABOUT US**

Introduction  
Research And Development  
Technical Department  
Graphics Department  
Qualification

**PRODUCT**

New arrival  
Waterproof  
Bulkhead / Flush  
Ceiling light  
Desk lamp  
Battens  
Panel / Frame  
Downlight  
Counter & Cabinet  
Work light & Flood light

**CONTACT**

Email:reon@brightsources.cn  
Phone:+86-574-87309279  
Fax:+86 574 8730 3683